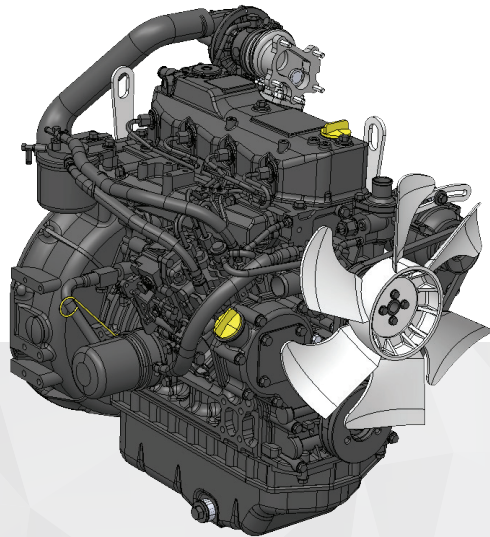




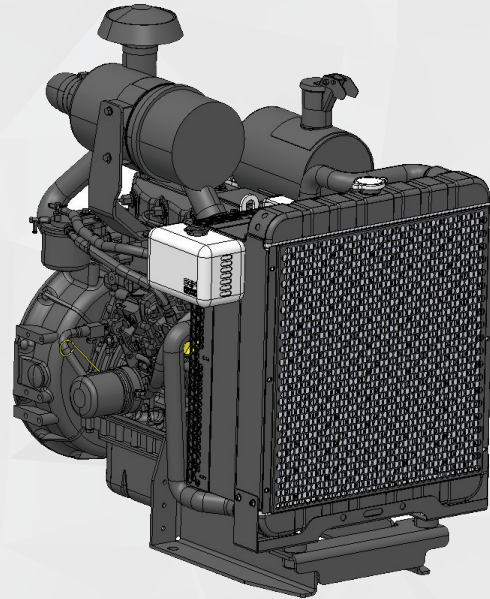
# 4TNV84T-BGGES 4TNV84T-BGGES-PPG



## 4TNV84T-BGGES

<b>LENGTH w/fan in (mm)</b>	29.5 (748)	<b>HEIGHT in (mm)</b>	28.0 (710)
<b>WIDTH in (mm)</b>	20.5 (520)	<b>WEIGHT (DRY) lbs (kg)</b>	397 (180)

<b>TYPICAL GENERATOR OUTPUT kWe (Standby)</b>	24.6
<b>TYPICAL GENERATOR OUTPUT KWE (PRIME)</b>	22.4
<b>CONTINUOUS GROSS ENGINE POWER hp (kW)</b>	33.6 (25.1)
<b>FUEL CONSUMPTION gal/h (l/h)</b>	2.12 (8.01)
<b>REGULATION</b>	EPA Emergency Stationary
<b>CYLINDERS</b>	4
<b>BORE X STROKE (mm)</b>	84 x 90
<b>DISPLACEMENT L (ci)</b>	1.99 (121)
<b>RATED SPEED rpm</b>	1800
<b>COMBUSTION TYPE</b>	Direct Injection
<b>ASPIRATION</b>	Turbo Charged
<b>GOVERNOR TYPE</b>	Mechanical
<b>LUBRICATION SYSTEM</b>	7.4L Capacity Oil Pan
<b>ELECTRICAL SYSTEM</b>	12V-40A
<b>FUEL SYSTEM</b>	YPD-MP2 (Mechanical)
<b>COOLING SYSTEM</b>	Water Pump Belt Driven
<b>POWER TAKE OFF</b>	FWH:SAE 4 FW: SAE 7.5



## 4TNV84T-BGGES-PPG

<b>LENGTH w/fan in (mm)</b>	36 (910.2)	<b>HEIGHT in (mm)</b>	38.4 (975.3)
<b>WIDTH in (mm)</b>	26.7 (677)		





# PURE. RELIABLE. POWER.

YANMAR is engaged in the relentless pursuit of high efficiency, low emission, diesel engines. With technology that already meets the next generation of environmental emissions standards, YANMAR is providing sustainable solutions towards a new era of prosperity.

[www.yanmar.com](http://www.yanmar.com)  
**770.877.9894**

©2022 YANMAR America Corporation. Engine photo may not reflect actual specifications. The information in this brochure is accurate as of the date of printing and subject to change. All rights reserved by and belong to YANMAR®.

*1st. kW rating with fan loss included • 2nd. gal/h calculated from g/kWh using fuel weight of .82 and gross rated output  
3rd. Generator kW rating based on generator efficiency of 92%, at sea level. • 4th. States & local areas may have additional requirements for emergency stationary engines. Not permitted for use in California.*