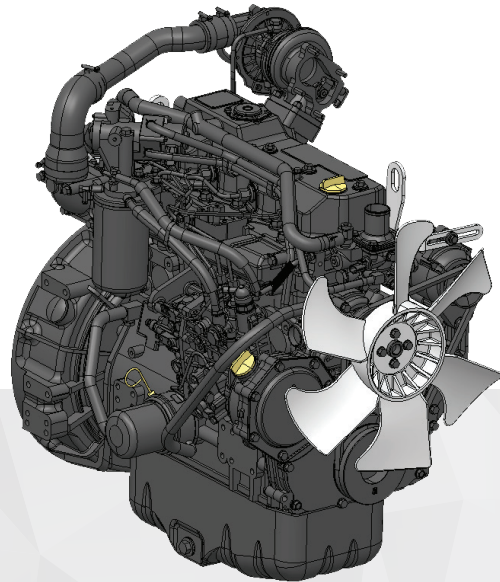




4TNV98T-ZGGES 4TNV98T-ZGGES-PPG



4TNV98T-ZGGES

LENGTH w/fan 30.1 (763)
in (mm)

HEIGHT in (mm) 33.5 (849)

WIDTH in (mm) 21.2 (537)

WEIGHT (DRY) 606 (275)
lbs (kg)

TYPICAL GENERATOR
OUTPUT kWe (Standby) 46.4

TYPICAL GENERATOR
OUTPUT KWE (PRIME) 42.2

CONTINUOUS GROSS
ENGINE POWER hp (kW) 62.0 (46.3)

FUEL CONSUMPTION
gal/h (l/h) 3.75 (14.20)

REGULATION EPA Emergency
Stationary

CYLINDERS 4

BORE X STROKE (mm) 98 x 110

DISPLACEMENT L (ci) 3.32 (203)

RATED SPEED rpm 1800

COMBUSTION TYPE Direct Injection

ASPIRATION Turbo Charged

GOVERNOR TYPE Electronic

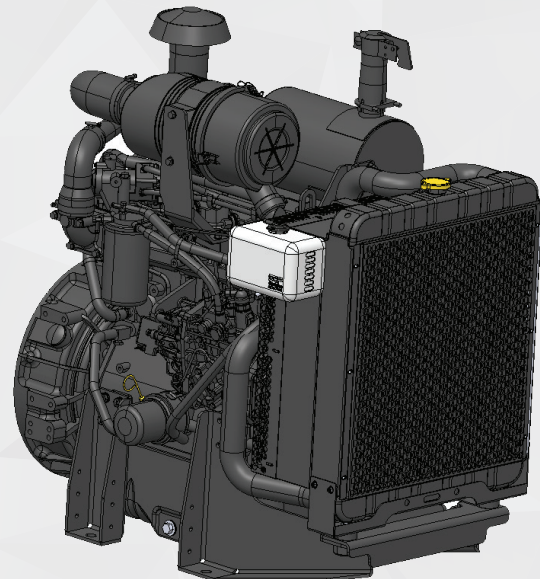
LUBRICATION SYSTEM 11.2L Capacity
Oil Pan

ELECTRICAL SYSTEM 12V-40A

FUEL SYSTEM YPD-MP4 (Eco)

COOLING SYSTEM Water Pump
Belt Driven

POWER TAKE OFF FWH:SAE 3
FW: SAE 11.5



4TNV98T-ZGGES-PPG

LENGTH w/fan 37.6 (954.3)
in (mm)

HEIGHT in (mm) 42.3 (1072.5)

WIDTH in (mm) 26.7 (677)



PURE. RELIABLE. POWER.

YANMAR is engaged in the relentless pursuit of high efficiency, low emission, diesel engines. With technology that already meets the next generation of environmental emissions standards, YANMAR is providing sustainable solutions towards a new era of prosperity.

www.yanmar.com
770.877.9894

©2022 YANMAR America Corporation. Engine photo may not reflect actual specifications. The information in this brochure is accurate as of the date of printing and subject to change. All rights reserved by and belong to YANMAR®.
*1st. kW rating with fan loss included • 2nd. gal/h calculated from g/kWh using fuel weight of .82 and gross rated output
3rd. Generator kW rating based on generator efficiency of 92%, at sea level. • 4th. States & local areas may have additional requirements for emergency stationary engines. Not permitted for use in California.*